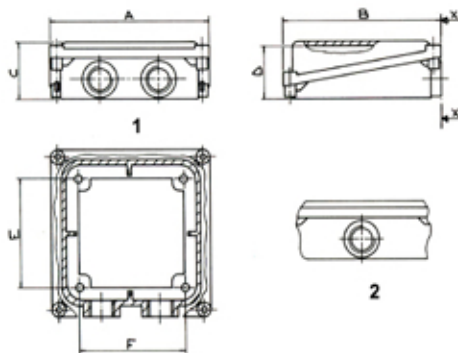


2P series

COVERS FOR MOTOR TERMINAL BOARD WITH CORE HITCHES 2P series



Type	A	B	C	D	E	F	1	2	
CPB 100/112	118	120	50	48	74	74	PG 13.5 PG 16 1/2	PG 13.5 PG 16 1/2	PG 13.5 PG 16
CP 54/132	130	130	58	56	86	86	PG 13.5 PG 16 1/2	PG 13.5 PG 16 1/2	PG 21